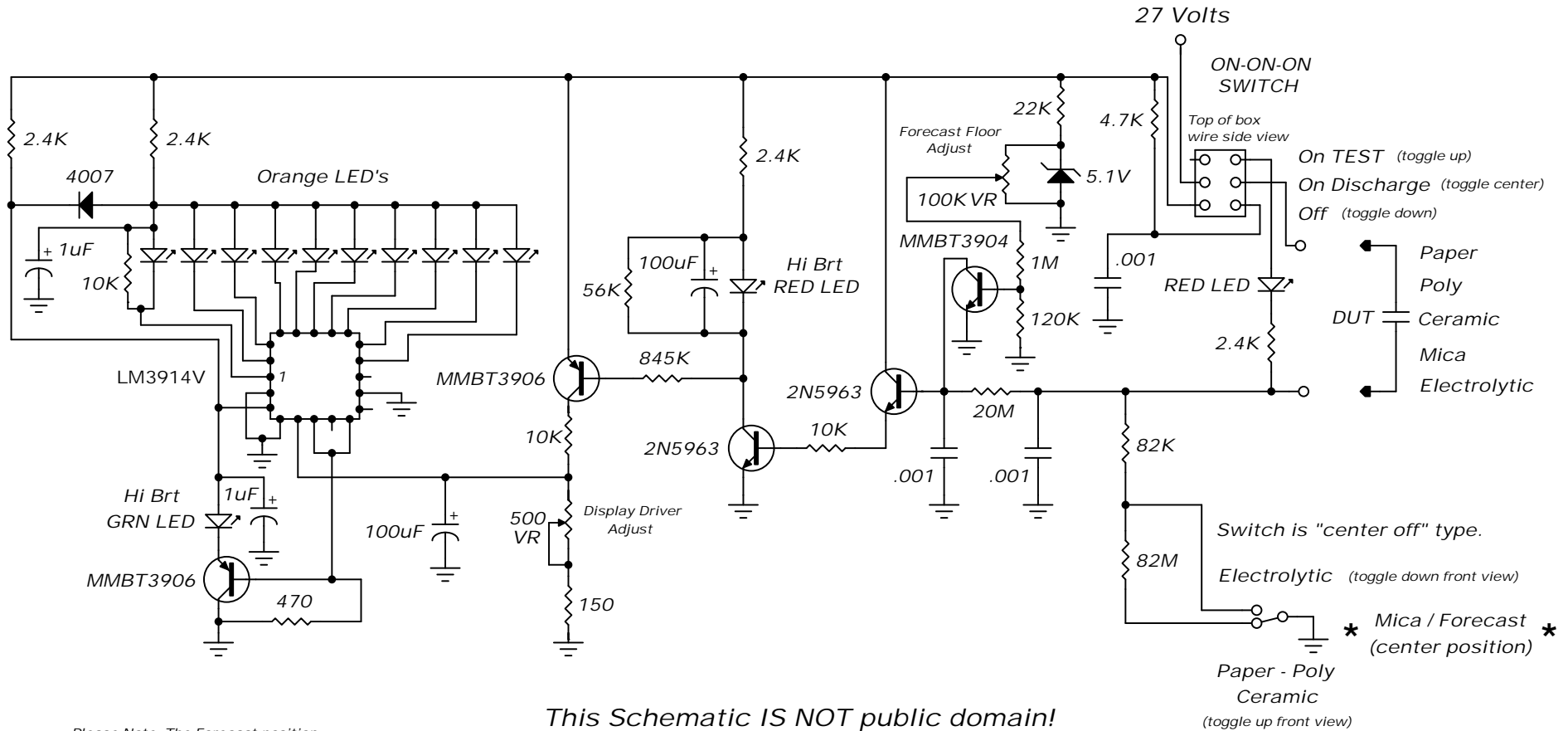


Mr Carlson's Lab

"Forecasting"

Ultra Sensitive Low Voltage Capacitor Leakage Tester



* Please Note: The Forecast position is intended for "Dry Type" capacitors only.

This Schematic IS NOT public domain!

This Schematic is "Privileged Information," and is not to be released!

This schematic is for Mr Carlson's Lab Patrons only, and is to remain on Patreon.

Circuit created at Mr Carlson's Lab.

This Schematic is for "Reference Only."

Circuit release (Patreon) Date:

Tuesday May 1, 2018

Version 3