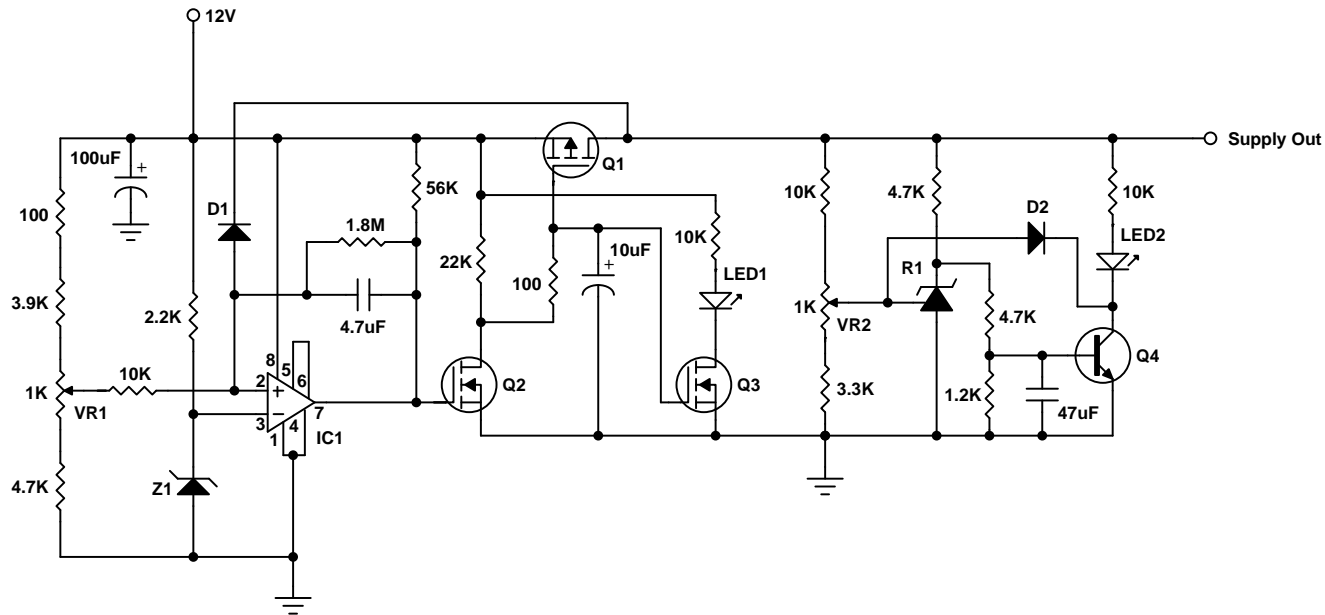


# Mr. Carlson's Lockout Circuit



*This schematic is for reference only!*

**WARNING!**

*If you build this circuit, you are doing so at your own risk!*

This Schematic is NOT PUBLIC DOMAIN.

This schematic is property of Mr Carlson's Lab and is to remain on Patreon.